

APPLICATION:

JOB NAME:

QUANTITY: ITEM NO.

PRODUCT NAME:
 CLOSED REEL RINSE CEILING
 MOUNTED WITH SPRAY VALVE

_____ SPECIAL CONFIGURATION
 CHECK BASE MODEL AND OPTIONS

MODEL:
 32026

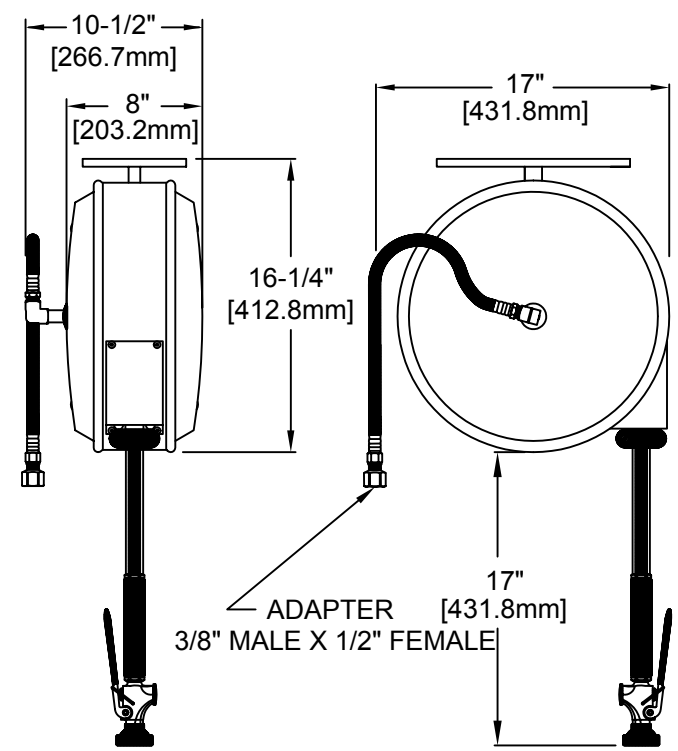
OPTIONS OR MODIFICATIONS:

BRUSH

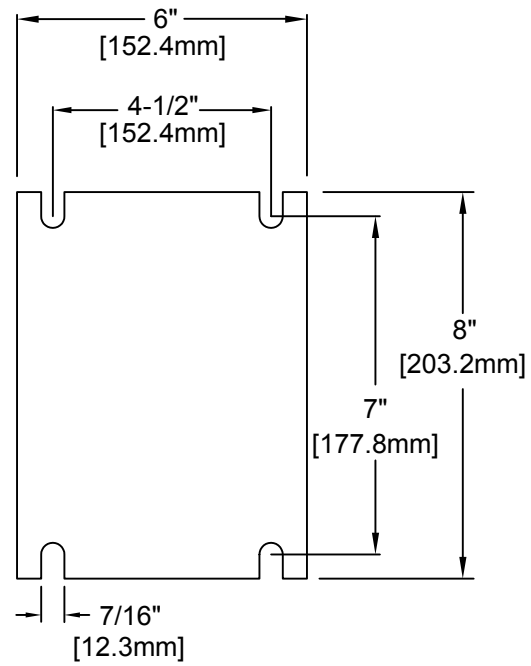
OTHER _____

- FEATURES:
- REEL**
- * CLOSED DESIGN
 - * SELF-LOCKING
 - * STAINLESS STEEL COVER
 - * CEILING MOUNTED
- HOSE**
- * 30' LENGTH REEL HOSE
 - * 3-PLY FIBER REINFORCED
 - * 3/8" FEMALE NPT INLET
 - * 18" LENGTH INLET HOSE
 - * ADJUSTABLE BALL STOP
- STANDARD PRO SPRAY VALVE**
- * SOLID BRASS SHOWER HEAD - NO "O" RINGS TO LEAK
 - * BRONZE HANDLE - NOT PLASTIC - MEANS FULL "ON"
 - * FITS ALL BRANDS
 - * 2.65 GPM AT 80 PSI
 - * SHOWER SPRAY PATTERN
- SYSTEM LIMITS**
- * TEMP: 40°F MIN. TO 140°F MAX. STATIC
 - * PRESSURE 200 PSI MAX. STATIC

SHIPPING WEIGHT
 * 35.0 LBS



ROUGH-IN: SEE MOUNTING PLATE BELOW



FISHER

FISHER MANUFACTURING COMPANY
 TOLL FREE: 800-421-6162 - FAX: 800-832-8238
 information@fisher-mfg.com - www.fisher-mfg.com